



MTIB

Mechanical immersion thermostat

MTIB is a series of high quality electro-mechanical thermostats for use in cooling, heating and ventilation systems.

- Wide setpoint range
- Fixed hysteresis
- Breaking capacity 15 A at 230 V AC
- Protection class IP65

The MTIB electro-mechanical thermostats are constructed around a fluid-filled capillary tube and sensor housing that transfers the changes in temperature to a change-over relay. The relay is capable of breaking up to 15 A at 230 V AC.

MTIB is intended for use in temperature control in pipes using water for heating or cooling, as well as in air conditioning systems, boilers and heaters.

Setpoint adjustment

Models are available with setpoint adjustment via a knob mounted either on or under the unit cover. A range calibration function is also available on request.

Models


Type	Temperature range	Hysteresis	Max. bulb temp.
MTIB60	10...60°C	1 K	75°C
MTIB90	20...90°C	1 K	100°C
MTIB120	50...120°C	1 K	140°C

NB: The thermostats are supplied with a standard DR-16/14 model immersion well

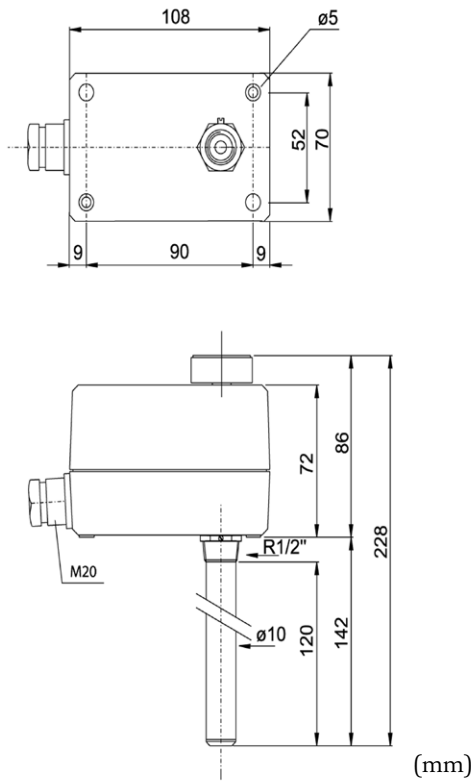
Accessories

Name	Description
DR-16/14	Brass immersion well 120 mm, 10 x 0.5
DR-17/14	Stainless steel AISI 301 immersion well 120 mm, 10 x 0.5

Technical data

Sensitive element	Liquid-filled copper bulb
Contacts	Dust-tight microswitches with SPDT contacts (heat/cool)
Switch capacity	15 (8) A, 24...250 V AC
Ambient temperature	-35...+65 °C
Ambient humidity	10...90 % RH (non-condensing)
Housing	Bayblend® base, ABS cover
Protection	IP65, class I
Weight	570 g
	Low Voltage Directive (LVD) & EMC emissions & immunity standards: This product conforms to the requirements of the European Low Voltage Directive (LVD) 2006/95/EC and to the requirements of the EMC Directive 2004/108/EC through product standard EN 60335-1.
	RoHS: This product conforms to the Directive 2011/65/EU of the European Parliament and of the Council.

Dimensions



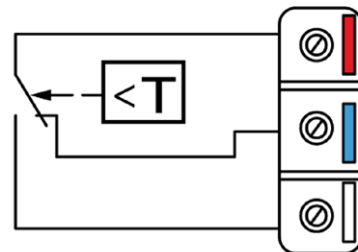
Wiring

Heating

Connect to the red and blue terminal. The contact will open when the temperature rises.

Cooling

Connect to the red and white terminal. The contact will open when the temperature drops.



Product documentation

Document	Type
MTIB_inst	Instruction for MTIB

The document can be downloaded from www.regincontrols.com.

Head Office Sweden

Phone: +46 31 720 02 00

Web: www.regincontrols.com

Mail: info@regin.se