



Trafo15/D and Trafo60 are double insulated protection transformers intended for low voltage.

- * 15 VA or 60 VA
- * DIN- or wall mounting
- * Output voltage 24 V AC
- * Built-in overload protection (TRAF015/D)
- * Built-in fuse (TRAF060)

Function

TRAF015/D

Trafo15/D is a transformer mounted in a 3-module casing for DIN-mounting in a cabinet or other tight enclosure.

Overload protection

Trafo15/D has a thermal overload protection that protects the transformer against overloading. The protection will automatically reset if the supply voltage is disconnected. Let the protection cool off and remove eventual faults before connecting the supply voltage again.

TRAF060

Single-phase compact protection transformer for industrial use. The transformer has a low sound level, is protected from humidity, dust and vibrations. It is cast in self-extinguishing polyurethane with plastic casing.

Class II, double-insulated, short-circuit proof and with a fuse to prevent against overloads.

The casing has mounting-holes and easy accessed wiring terminals under lid. Cable fittings and cable strain reliefs are included.

Range of uses

For supplying HVAC equipment, alarm set-ups, heating foil or -cable, halogen lights and other low-voltage installations (supplying SELV and PELV devices).

Technical data

Supply voltage (primary)	230 V AC
Output voltage (secondary)	24 V AC unstabilized
Power output	15 VA (TRAF015/D) 60 VA (TRAF060)
Frequency	47...63 Hz
Isolation voltage	4 kV AC RMS
Type	Class II
Temperature rating	B (130°C)
Max. ambient temperatur	40°
Protection class	IP44 (TRAF060) IP20 (TRAF015/D)



TRAF060

This product conforms with the requirements of European EMC standards EN61558-2-6 and carries the CE mark.

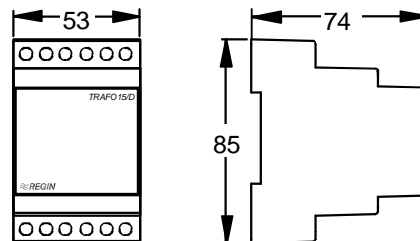
TRAF015/D

This product conforms with the requirements of European EMC standards IEC669-1 och IEC 669-2-1 and carries the CE mark.

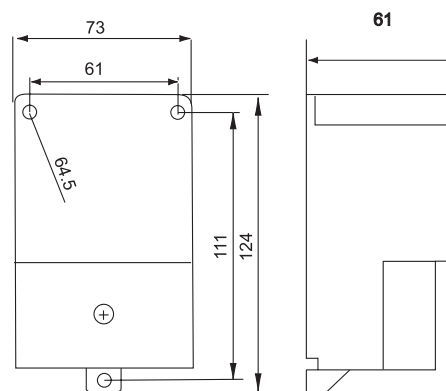
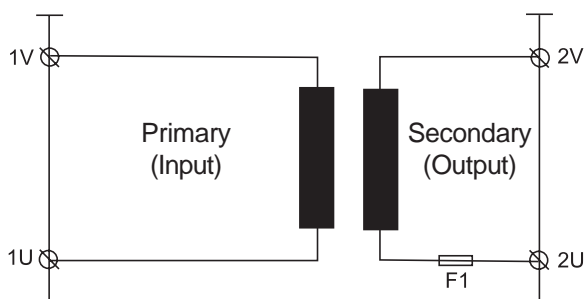
Wiring and dimensions

TRAF015/D

Terminals 3 and 4 Supply voltage 230 V AC
Terminals 9 and 10 Secondary voltage 24 V AC



TRAF060



Head Office Sweden

Phone: +46 31 720 02 00
Web: www.regin.se
Mail: info@regin.se

Sales Offices

France: +33 14 171 46 46
Hong Kong: +852 24 07 02 81
Singapore: +65 67 47 82 33
Germany: +49 30 77 99 40



THE CHALLENGER IN BUILDING AUTOMATION